



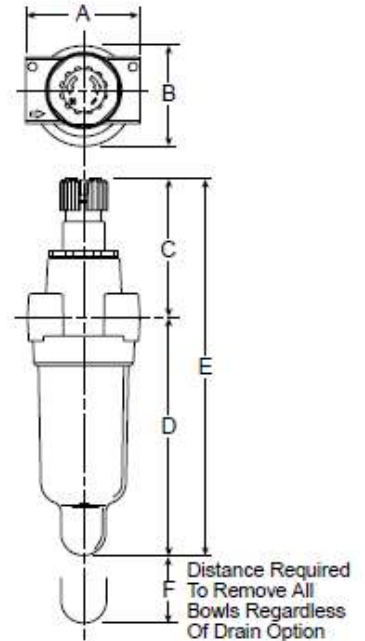
MINI LUBRICATOR

(Page 1 of 3)



Features

- Proportional oil delivery over a wide range of air flows.
- Precision needle valve assures repeatable oil delivery and provides simple adjustment of delivery rate.
- Ideal for low and high flow applications with changing air flow.
- Transparent sight dome for 360° visibility.
- High Flow: 1/8" – 20 SCFM[§]
1/4" – 20 SCFM[§]



Distance Required To Remove All Bowls Regardless Of Drain Option

Port Size	NPT	
	Twist Drain	No Drain
Poly Bowl ‡		
1/8"	—	04L00G*
1/4"	—	04L10G*
Metal Bowl without Sight Gauge		
1/8"	04L03G*	—
1/4"	04L13G*	—

04L Lubricator Dimensions		
A	B	C
1.73 (44)	1.56 (40)	2.16 (55)
D	D†	E
3.64 (92)	3.78 (96)	5.80 (147)
E†	F	
5.94 (151)	1.60 (41)	

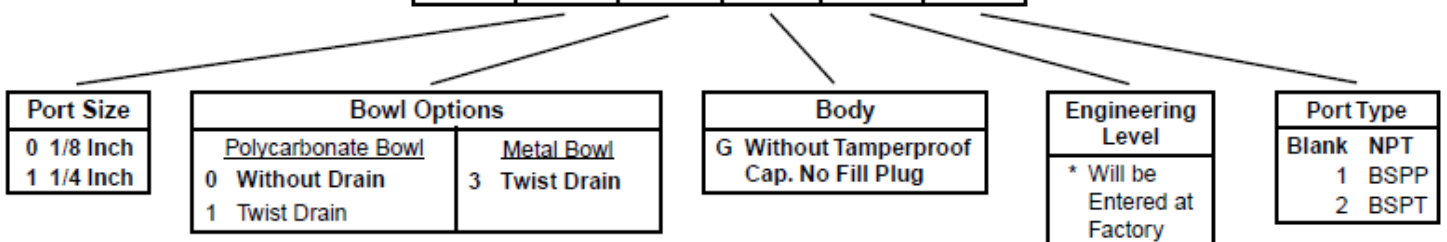
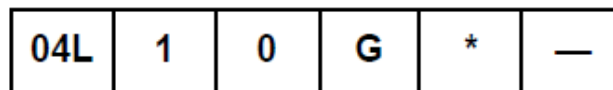
Inches (mm)
† With Twist Drain.

Standard part numbers shown bold. For other models refer to ordering information below.

‡ For polycarbonate bowl and sight dome, see Caution on page A2.

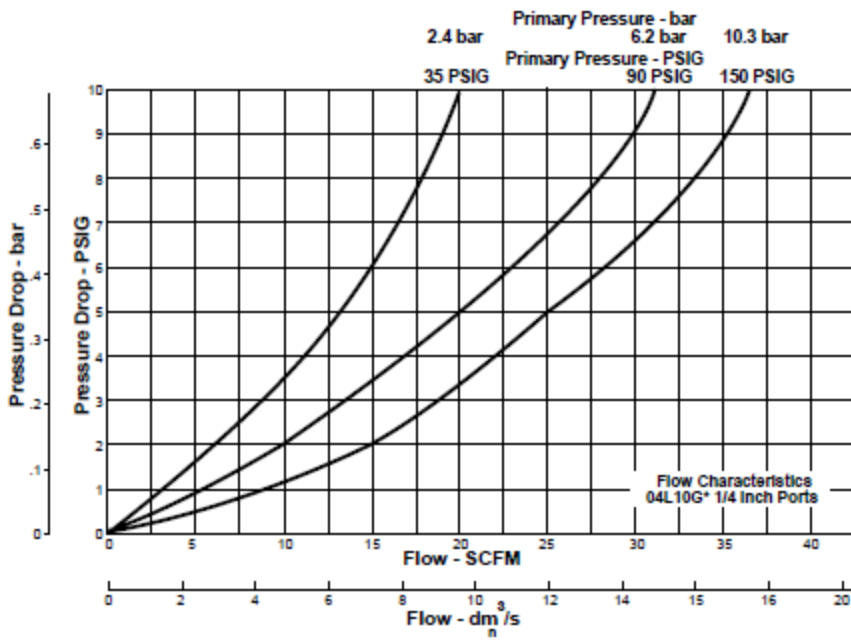
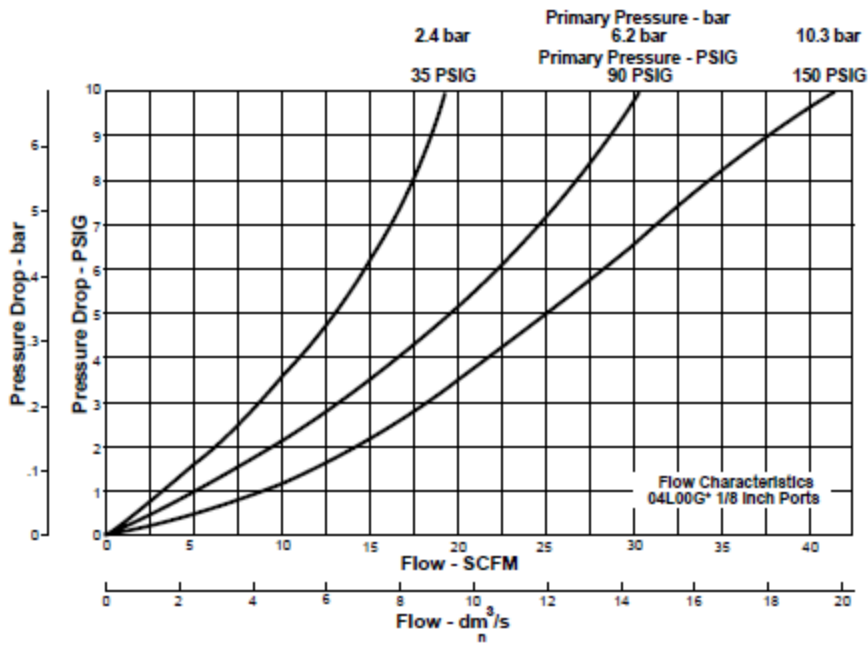
§ SCFM = Standard cubic feet per minute at 90 PSIG inlet and 5 PSIG pressure drop.

Ordering Information



MINI LUBRICATOR – PAGE 2 of 3

Technical Information



MINI LUBRICATOR – PAGE 3 of 3

04L Mist Lubricator Kits & Accessories

Bowl Kits –

Poly Bowl – No Drain	PS421P
Twist Drain	PS420P
Metal Bowl – Twist Drain (No Sight Gauge)	PS447BP

Mounting Bracket Kit

PS419

Oil – 1 Gal.

F442002

12 Quart Case

F442003

4 Gallon Case

F442005

Specifications

Bowl Capacity

1 Ounce

Minimum Flow for Lubrication

0.5 SCFM at 100 PSIG

Port Threads

1/8, 1/4 Inch

Pressure & Temperature Ratings –

Polycarbonate Bowl – 0 to 150 PSIG (0 to 10.3 bar)
32°F to 125°F (0°C to 52°C)

Metal Bowl – 0 to 250 PSIG (0 to 17.2 bar)
32°F to 175°F (0°C to 80°C)

Suggested Lubricant –F442 Oil

Petroleum based oil of 100 to 200 SSU viscosity at
100°F and an aniline point greater than 200°F

(DO NOT USE OILS WITH ADDITIVES,
COMPOUNDED OILS CONTAINING SOLVENTS,
GRAPHITE, DETERGENTS, OR SYNTHETIC OILS.)

Weight

0.4 lb. (0.18 kg)

Materials of Construction

Body

Zinc

Bowls – Transparent

Polycarbonate

Metal (Without Sight Gauge)

Zinc

Drains – Twist – Body & Nut

Plastic

Seals

Nitrile

Sight Dome

Polycarbonate